

# CHEETAH

RUGGEDIZED CAMERA SERIES

Front View

Rear View

## P67-C5311

### CMOS 16.2 MP

*GigE Vision® with Power over Ethernet (PoE)*

#### Imperx: C5311

The P67-C5311 provides the same robust camera design as the POE-C5311 with an IP67 enclosure. The P67-C5311 camera features the Sony Pregius S™ IMX542 Global Shutter CMOS sensor with a native resolution of 5328 x 3040 in a 1.1" optical format delivering up to 7.4 frames per second with GigE Vision® Power over Ethernet (PoE) output. The Pregius S technology uses a stacked back-illuminated pixel structure offering reduced pixel size, increased peak quantum efficiency, and improved sensitivity with fast lenses. Imperx puts you in control by providing the user the ability to set the camera up very easily. Using the simple Gen<I>Cam™ compliant user interface, you can quickly apply image corrections to enhance recognition or quality. The C5311's flexibility, outstanding sensitivity, image quality, and speed make it suitable for a broad range of diverse and demanding applications. By combining the powerful Imperx camera control with an IP67 rated enclosure protecting the camera from dust, water and other contaminants, the P67-C5311 can be utilized in harsh environments.

#### Specifications

Feature	Description	Feature	Description	
Output Interface	GigE Vision® with Power over Ethernet (PoE)	Data Corrections	2 LUTs pre-programmed with Gamma 0.45, 2 LUTs pre-programmed with Negative LUT Bad pixel correction (static), Flat field correction	
Resolution	5328 (H) x 3040 (V)	Lens Mount	C-Mount (default)	
Sensor	Sony Pregius S IMX542 CMOS Color/Mono	Supply Voltage Range	12 V DC (6 V – 30 V), 1.5 A inrush @ 12 V PoE (IEEE 802.3af / IEEE 802.3at)	
Sensor Format	14.6 mm (H) x 8.3 mm (V), 1.1" optical format (16.8 mm diagonal)	Power Consumption	Typical: 3.96 W @ 12 V; PoE: 5.95 W	
Pixel Size	2.74 microns square	Camera Current	Typical: 330 mA @ 12 V	
Shutter	Global shutter (GS)	Size - Width/Height/Length	48.5 mm (W) x 42.0 mm (H) x 61 mm (L) (without connectors and a lens tube)	
Sensor Digitization	12-bit	Lens Tube Dimensions	44 mm Lens tube: -Inner diameter 44 mm -Outer diameter 50 mm -Length varies (see IP67 lens tubes spec sheet)	
Frame Rate	7.4 fps (8-bit), 3.7 fps (10-bit/12-bit unpacked), 4.9 fps (10-bit/12-bit packed)	64 mm Lens tube: -Inner diameter 64 mm -Outer diameter 70 mm -Length varies (see IP67 lens tubes spec sheet)	Weight	196 g (without a lens tube)
Dynamic Range	71 dB	Vibration, Shock	20G (20 – 200 Hz XYZ) / 100G	
Output Bit Depth	8, 10, 12-bit	Environmental	-30 °C to +75 °C Operating (-40 °C to +85 °C tested), -40 °C to +85 °C Storage	
Analog/Digital Gain	Manual, Auto; 0 dB – 48 dB, 480 steps	Humidity	10% to 90% non-condensing – for exposure longer than 30 minutes 100% non-condensing – for exposure up to 30 minutes	
Digital Gain	1x (0 dB) to 4x (12 dB) with a precision of 0.001x	MTBF	550,000 hours @ 50 °C (EST) (Telcordia SR-332)	
Black Level Offset	Manual (0 – 4095), Auto	Military Standard	MIL-STD-810G	
White Balance	Manual, Auto, Once, Off	Regulatory	FCC Part 15 Class A, CE, RoHS, UKCA	
Shutter Speed	57 µs to 16 s			
Exposure Control	Off, Manual, Auto, External			
Regions of Interest (ROI)	2 ROI			
Binning	1x1, 2x2 (Mono cameras only)			
Sub-sampling	1x1, 2x2			
Trigger Inputs	External, Pulse generator, Software			
Trigger Options	Edge, Pulse width, Trigger delay, Debounce, Trigger over Ethernet			
Trigger Modes	Free run, Standard, Fast			
External Inputs/Outputs	1 IN (OPTO) / 2 OUT (OPTO, TTL)			
Strobe Output	2 strobes, programmable position and duration			
Pulse Generator	Yes, programmable			

## Imperx: C5311 Applications

The P67-C5311 incorporates a number of unique features tailored to reduce system complexity, maximize interface bandwidth, and expand the usable operational range.

Aerospace • Satellites • Surveillance • Ball Grid Array • Printed Circuit Board Inspection • Motion Analysis • Broadcast Television • Telepresence • Unmanned Aerial Vehicles • Machine Vision • Intelligent Traffic Systems • Aerial Imaging • Open Road Tolling Systems • Situational Awareness

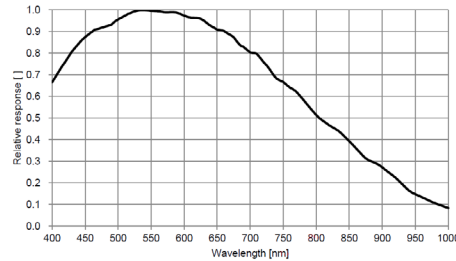
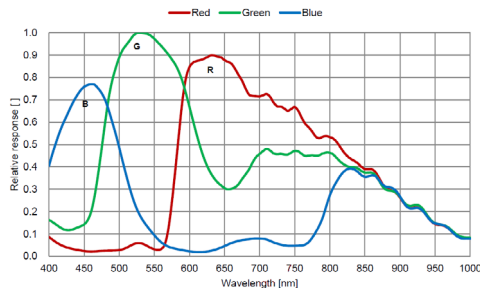
## Absolute Quantum Efficiency

Color Spectral Response

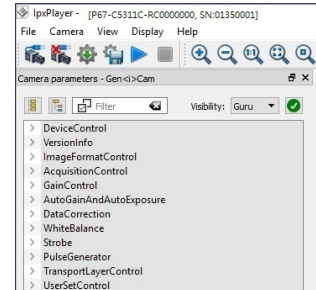
Sony IMX542

Mono Spectral Response

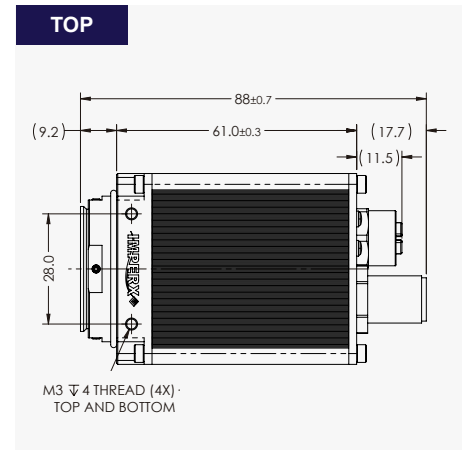
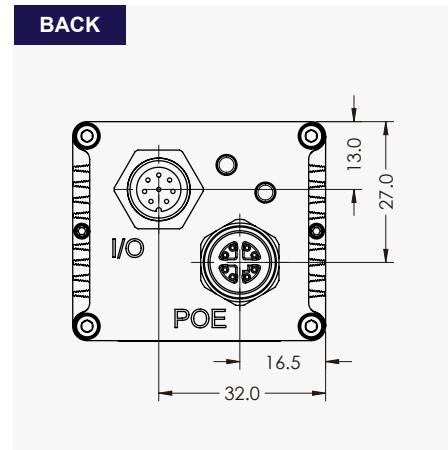
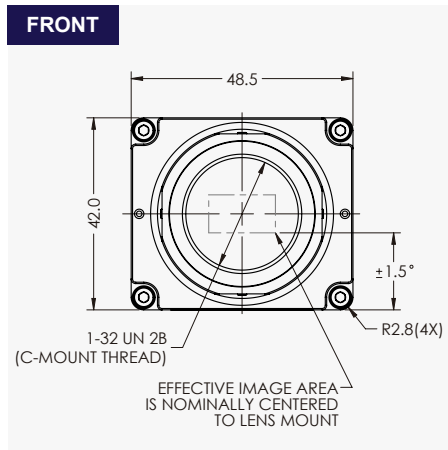
Sony IMX542



## Gen<I>Cam Compliant Camera Configurator



## Dimensions



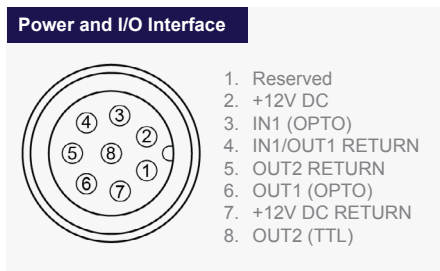
## Ordering Information

Please specify the camera model code and select an IP67 lens tube (see IP67 lens tubes spec sheet).

<b>Output Interface</b>
GigE Vision® with Power over Ethernet (PoE)® in IP67 enclosure (P67)
<b>Sensor Types available</b>
Monochrome
Bayer Color
<b>Lens Mounts</b>
C-Mount

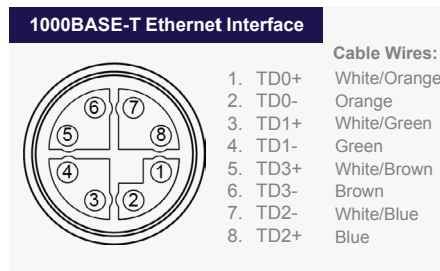
<b>Accessories (Sold separately)</b>
CBL-IO08-0001 – Cable, 8 pin I/O, BULGIN CONN to Pigtail, 2 m
CBL-XRJ45-0002 – Cable, RJ45 to 8 position M12/Xcode (IP67 METZ CONN), 2 m
CBL-XRJ45-0003 – Cable, RJ45 to 8 position M12/Xcode (IP67 METZ CONN), 3 m
CBL-XRJ45-0005 – Cable, RJ45 to 8 position M12/Xcode (IP67 METZ CONN), 5 m
CBL-XRJ45-0010 – Cable, RJ45 to 8 position M12/Xcode (IP67 METZ CONN), 10 m
CBL-XRJ45-0015 – Cable, RJ45 to 8 position M12/Xcode (IP67 METZ CONN), 15 m
CBL-XRJ45-0020 – Cable, RJ45 to 8 position M12/Xcode (IP67 METZ CONN), 20 m

## Connectors



Connector: BULGIN PXMBN112RPM08APCM12

Rev: p67\_c5311\_r1\_2023



Connector: MACOM MMT361A315

**Cable Wires:**

1. TD0+	White/Orange
2. TD0-	Orange
3. TD1+	White/Green
4. TD1-	Green
5. TD3+	White/Brown
6. TD3-	Brown
7. TD2-	White/Blue
8. TD2+	Blue



IMPERX 6421 Congress Ave., Boca Raton, FL 33487, USA  
Tel: +1-561-989-0006. Email: sales@imperx.com

Quality Management System ISO 9001:2015 Registered  
Environmental Management System ISO 14001:2015 Registered  
DDTC Registered (Directorate of Defense Trade Controls, US Department of State)

WWW.IMPERX.COM

Technical data has been fully checked, but accuracy of printed matter is not guaranteed. Subject to change without notice. Copyright 2023.