

# CHEETAH

RUGGEDIZED CAMERA SERIES

Front View

Rear View

## C5310

## CMOS 24.6 MP

Camera Link®

## PRELIMINARY

Imperx: C5310

The CLF-C5310 camera features the Sony Pregius S™ IMX540 Global Shutter CMOS sensor with a native resolution of 5328 x 4608 in a 1.2" optical format delivering up to 21.7 frames per second with Camera Link® Full Power over Camera Link (PoCL®) output. The Pregius S technology uses a stacked back-illuminated pixel structure offering reduced pixel size, increased peak quantum efficiency, and improved sensitivity with fast lenses. Imperx puts you in control by providing full access to raw data without corrections. Using the simple intuitive graphical user interface, you can quickly apply image corrections. The C5310's flexibility, image quality, and speed make it suitable for a broad range of diverse and demanding applications, but "one size doesn't fit all," and Imperx can help optimize the camera to your exact requirements.

### Specifications

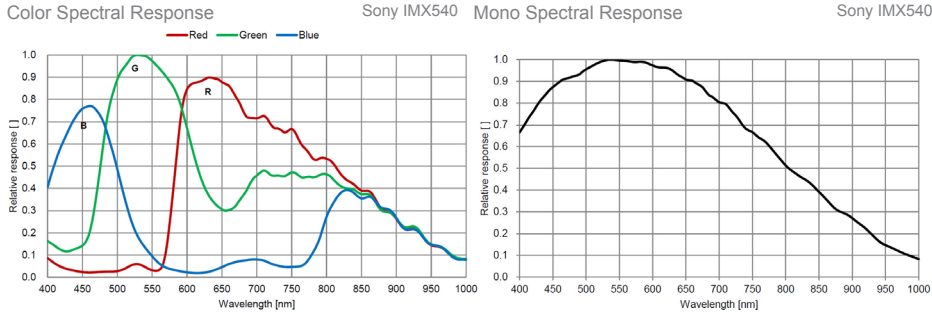
Feature	Description	Feature	Description
Output Interface	Camera Link® Base, Medium, Full w/PoCL®	Strobe Output	2 strobes, programmable position and duration
Resolution	5328 (H) x 4608 (V)	Pulse Generator	Yes, programmable
Sensor	Sony Pregius S IMX540 CMOS Color/Mono	Data Correction	4 LUTs pre-programmed with Gamma 0.45; Bad pixel correction (static, dynamic) Flat field correction
Sensor Format	14.6 mm (H) x 12.6 mm (V), 1.2" optical format (19.3 mm diagonal)	Lens Mount	C-Mount (default)
Pixel Size	2.74 microns square	P-IRIS	Optional
Shutter	Global shutter (GS)	P-IRIS Control	Auto, Programmable
Sensor Digitization	8, 10, 12-bit	Supply Voltage Range	12 V DC (6 V – 30 V), 1.5 A inrush @ 12 V
Frame Rate	21.7 fps (8-bit), 17.5 fps (10-bit), 7.5 fps (12-bit)	Power Consumption	Typical: 2.64 W
Dynamic Range	71 dB	Camera Current	Typical: 220 mA @ 12 V
Output Bit Depth	8, 10, 12-bit	PoCL	PoCL capable in Base/Medium/Full mode
Analog/Digital Gain	Manual, Auto; 0 dB – 48 dB, 480 steps	Size - Width/Height/Length	37.0 mm (W) x 37.0 mm (H) x 47.2 mm (L)
Digital Gain	1x (0 dB) to 4x (12 dB) with a precision of 0.001x	Weight	103.4 g
Black Level Offset	Manual (0 – 255), Auto	Vibration, Shock	Complies with IEC60068-2-64 and IEC60068- 2-27
White Balance	Manual, Auto, Once, Off	Environmental	-30 °C to +75 °C Operating; -40 °C to +85 °C Storage
Shutter Speed	30 µs to 16.0 s	Humidity	10% to 90% non-condensing
Exposure Control	Off, Manual, External, Auto	MTBF	TBD
Regions of Interest (ROI)	2 ROI	Military Standard	MIL-STD-810G
Binning	1x2, 2x1, 2x2	Regulatory	FCC Part 15, CE, RoHS, UKCA
Sub-sampling	1x2, 2x1, 2x2		
Trigger Inputs	External, Pulse generator, Software, Computer		
Trigger Options	Edge, Pulse width, Trigger filter, Trigger delay, Debounce		
Trigger Modes	Free run, Standard, Fast		
External Inputs/Outputs	2 IN (OPTO, LVTTTL) / 2 OUT (OPTO, TTL)		

## Imperx: C5310 Applications

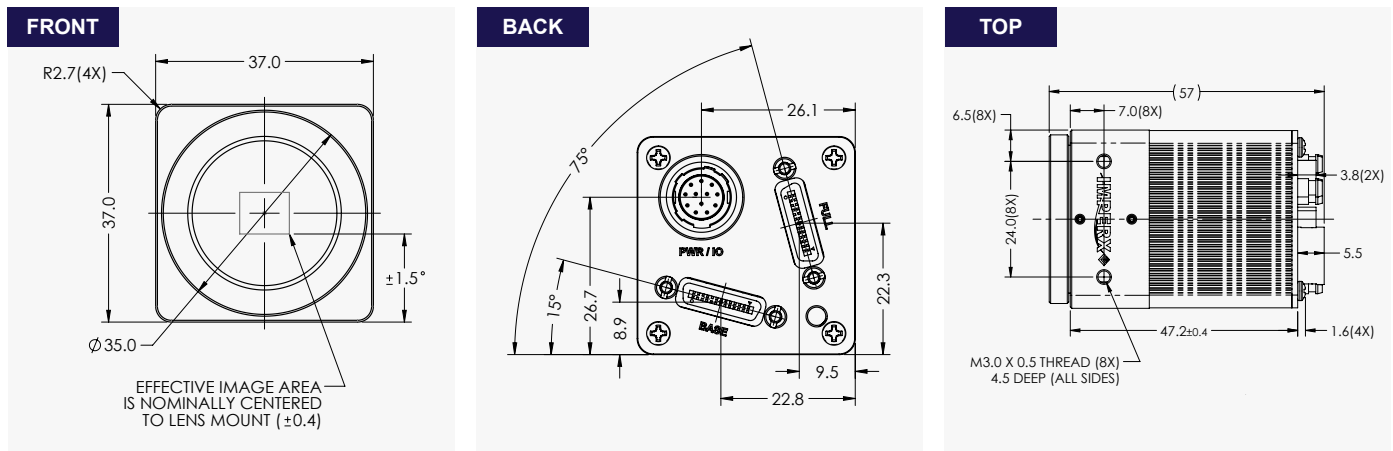
The CLF-C5310 incorporates a number of unique features tailored to reduce system complexity, maximize interface bandwidth, and expand the usable operational range.

Automation • Logistics • Robotics • Pharmaceuticals • Food and Beverages • Aerospace • Satellites • Surveillance • Ball Grid Array • Printed Circuit Board Inspection • Motion Analysis • Machine Vision • Broadcast Television • Telepresence • Unmanned Aerial Vehicles • Intelligent Traffic Systems • Aerial Imaging • Open Road Tolling Systems • Situational Awareness

## Absolute Quantum Efficiency



## Dimensions



## Ordering Information

<b>Output Interface</b>	Camera Link® Full (CLF) w/PoCL®	<b>Lens Mounts</b>	C-Mount (Default) P-Iris (optional)
<b>Sensor Types available</b>	Monochrome Bayer Color	<b>Accessories (Sold separately)</b>	PS12V14A – Power Supply w/ 1 input & 1 output PS12V18A – Power Supply w/ 1 input, 1 output, and a P-Iris connector

## Hirose Connectors

Power and I/O Interface	
	<ul style="list-style-type: none"> <li>1. 12 VDC Return</li> <li>2. +12 VDC</li> <li>3. Reserved</li> <li>4. Reserved</li> <li>5. OUT2 RTN (OPTO)</li> <li>6. OUT1 RTN</li> <li>7. OUT1 (TTL)</li> <li>8. IN1 (OPTO)</li> <li>9. IN2 (LVTTTL)</li> <li>10. IN1 RTN</li> <li>11. IN2 RTN</li> <li>12. OUT2 (OPTO)</li> </ul>

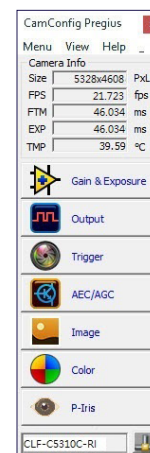
Connector: Hirose HR10A-10R-12PB(71)

Rev: cl\_c5310\_r2\_2021

Quality Management System ISO 9001:2015 Registered  
Environmental Management System ISO 14001:2015 Registered  
DDTC Registered (Directorate of Defense Trade Controls, US Department of State)



## Software/Drivers/Interface



IMPERX 6421 Congress Ave., Boca Raton, FL 33487, USA  
Tel: +1-561-989-0006. Email: sales@imperx.com

WWW.IMPERX.COM

Technical data has been fully checked, but accuracy of printed matter is not guaranteed. Subject to change without notice. Copyright 2021