

CHEETAH

RUGGEDIZED CAMERA SERIES

Front View

Rear View

C4120 CMOS 12 MP Camera Link®

Imperx: C4120

The CLF-C4120 camera features the Sony Pregius IMX253 Global Shutter CMOS sensor with a native resolution of 4112 x 3008 in a 1.1" optical format delivering up to 42 frames per second with a Camera Link® Full, PoCL® output. The Sony Pregius image sensor delivers outstanding sensitivity and excellent image quality. Imperx puts you in control by providing full access to raw data without corrections. Using the simple intuitive graphical user interface, you can quickly apply image corrections, if desired. The C4120's flexibility, image quality, and speed make it suitable for a broad range of diverse and demanding applications, but "one size doesn't fit all," and Imperx can help optimize the camera to your exact requirements.

Specifications

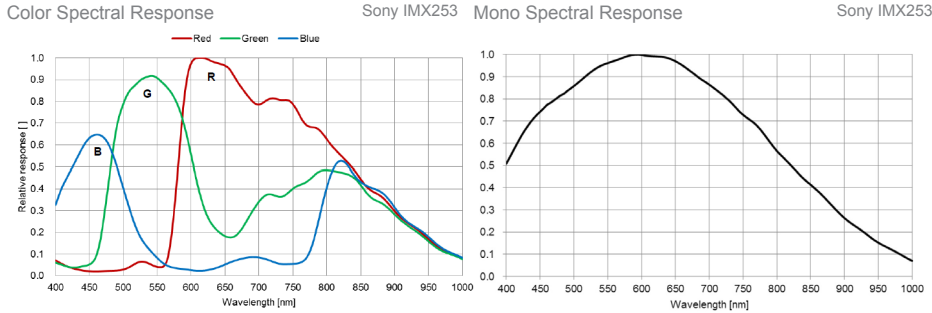
Feature	Description	Feature	Description
Output Interface	Camera Link® Base, Medium, Full w/PoCL®	Strobe Output	2 strobes, programmable position and duration
Resolution	4112 (H) x 3008 (V)	Pulse Generator	Yes, programmable
Sensor	Sony Pregius IMX253 CMOS Color/Mono	Data Correction	4 LUTs pre-programmed with Gamma 0.45; Bad pixel correction (static, dynamic), Flat field correction
Sensor Format	14.1 mm (H) x 10.3 mm (V), 1.1" optical format	Lens Mount	C-Mount (default)
Pixel Size	3.45 microns square	P-IRIS	Optional
Shutter	Global shutter (GS)	P-IRIS Control	Auto, Programmable
Sensor Digitization	8, 10, 12-bit	Supply Voltage Range	12 V DC (6 V – 30 V), 1.5 A inrush @ 12 V
Frame Rate	42 fps (8-bit), 34 fps (10-bit), 14 fps (12-bit)	Power Consumption	Typical: 2.4 W
Dynamic Range	71 dB	Camera Current	Typical: 200 mA @ 12 V
Output Bit Depth	8, 10, 12-bit	PoCL	PoCL capable in Base/Medium/Full mode
Analog/Digital Gain	Manual, Auto; 0 dB – 48 dB, 480 steps	Size - Width/Height/Length	37.0 mm (W) x 37.0 mm (H) x 47.2 mm (L)
Digital Gain	1x (0 dB) to 4x (12 dB) with a precision of 0.001x	Weight	103.4 g
Black Level Offset	Manual (0 – 255), Auto	Vibration, Shock	Complies with IEC60068-2-64 and IEC60068-2-27
White Balance	Manual, Auto, Once, Off	Environmental	-30 °C to +75 °C Operating; -40 °C to +85 °C Storage
Shutter Speed	14 µs to 16.0 s	Humidity	10% to 90% non-condensing
Exposure Control	Off, Manual, External, Auto	MTBF	TBD
Regions of Interest (ROI)	2 ROI	Military Standard	MIL-STD-810G
Binning	1x2, 2x1, 2x2	Regulatory	FCC Part 15, CE, RoHS, UKCA
Sub-sampling	1x2, 2x1, 2x2		
Trigger Inputs	External, Pulse generator, Software, Computer		
Trigger Options	Edge, Pulse width, Trigger filter, Trigger delay, Debounce		
Trigger Modes	Free run, Standard, Fast		
External Inputs/Outputs	2 IN (OPTO, LVTTTL) / 2 OUT (OPTO, TTL)		

Imperx: C4120 Applications

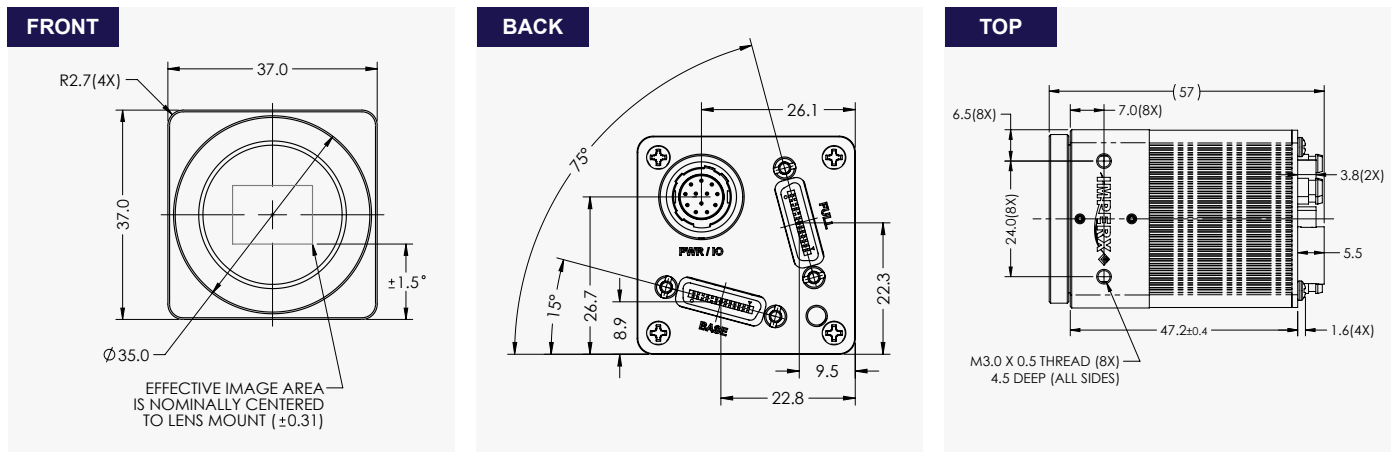
The CLF-C4120 incorporates a number of unique features tailored to reduce system complexity, maximize interface bandwidth, and expand the usable operational range.

Aerospace • Satellites • Surveillance • Ball Grid Array • Printed Circuit Board Inspection • Motion Analysis • Broadcast Television • Telepresence • Unmanned Aerial Vehicles • Machine Vision • Intelligent Traffic Systems • Aerial Imaging • Open Road Tolling Systems • Situational Awareness

Absolute Quantum Efficiency



Dimensions

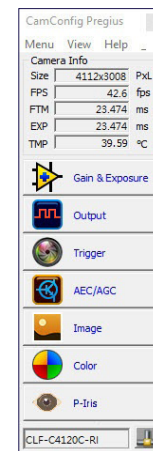


Ordering Information

Output Interface
Camera Link® Full (CLF) w/PoCL®
Sensor Types available
Monochrome
Bayer Color

Lens Mounts
C-Mount (Default)
P-Iris (optional)
Accessories (Sold separately)
PS12V14A – Power Supply w/ 1 input & 1 output
PS12V18A – Power Supply w/ 1 input, 1 output, and a P-Iris connector

Software/Drivers/Interface



Hirose Connectors

Power and I/O Interface
<ul style="list-style-type: none"> 1. 12 VDC Return 2. +12 VDC 3. Reserved 4. Reserved 5. OUT2 RTN (OPTO) 6. OUT1 RTN 7. OUT1 (TTL) 8. IN1 (OPTO) 9. IN2 (LVTTTL) 10. IN1 RTN 11. IN2 RTN 12. OUT2 (OPTO)

Connector: Hirose HR10A-10R-12PB(71)

Rev: cl_c4120_r5_2021

Quality Management System ISO 9001:2015 Registered
 Environmental Management System ISO 14001:2015 Registered
 DDTC Registered (Directorate of Defense Trade Controls, US Department of State)



IMPERX 6421 Congress Ave., Boca Raton, FL 33487, USA
 Tel: +1-561-989-0006. Email: sales@imperx.com

WWW.IMPERX.COM

Technical data has been fully checked, but accuracy of printed matter is not guaranteed. Subject to change without notice. Copyright 2021