

VCE-HDEX02

HD-SDI ExpressCard/34 for Laptops

Acquisition from an SD or HD-SDI video source.

Advanced features: Look up tables, histograms, RGB gain/offset with auto-white balance...



IMPERX HD-SDI ExpressCard/34 is a professional level ExpressCard video capture card that enables users to view and store in real time mega pixel video images from any standard HD-SDI video source onto laptop computers. IMPERX HD-SDI ExpressCard/34 is capable of capturing single or multiple frames and standard AVI clips from any SD or HD-SDI compliant video source. Each captured frame can be stamped with a user message along with the date and time of capture. A full software suite that includes drivers, C/C++, SDK, and an application program is provided with each IMPERX HD-SDI ExpressCard/34 VCE-HDEX02 card.

Features

- ExpressCard/34 compliant providing 2.5 Gbps of bandwidth
- Supports SD and HD-SDI formats for 720p, 1080i and 1080p video
- Supports SMPTE 292M serial interface and SMPTE 274M/296M framing
- Audio acquisition of two 24 bit channels @ 48KHz
- 16/20 bit YCrCb 4:2:2 or 24-bit RGB formatting
- Intelligent scatter/gather DMA for fast, efficient use of ExpressCard bandwidth and system memory
- Flow-through pipelined architecture for low latency
- On board color space conversion
- Selectable window sizes
- Adjustable RGB brightness and auto white balance
- Programmable RGB lookup tables and gamma correction
- Captures single, multiple frames or AVI clips
- Normal or delay capture
- Date, time and text overlay
- RAW, BMP, TIFF or adjustable JPEG file format
- Image viewer with DVR controls
- Plug-and-Play operation with hot insertion/removal
- Many advanced features including look up tables, histograms, RGB gain/offset with auto-white balance, hex pixel dump, gamma correction

Software

- Application program: Full featured, intuitive, easy-to-use GUI
- Drivers: Win XP/2000/Vista/7/8, DirectX, Halcon, Adobe Premiere, Matlab
- SDK: C/C++, COM, .NET, ActiveX - all with sample source code

Video Source

- 75 ohm BNC coaxial connector
- Analog SMPTE 292M serial interface operating at 1.485 Gbps
- SMPTE 274M and SMPTE 296M framing

Power

- 3.3V DC +/-5%, 500 mA steady
- 1.65W constant power

Environmental

- Operating temperature: -40°C to +85°C
- Relative humidity: 90% non-condensing
- >372,000 hours @ 50°C (MIL-STD-785B, MIL-HDBK-217F)

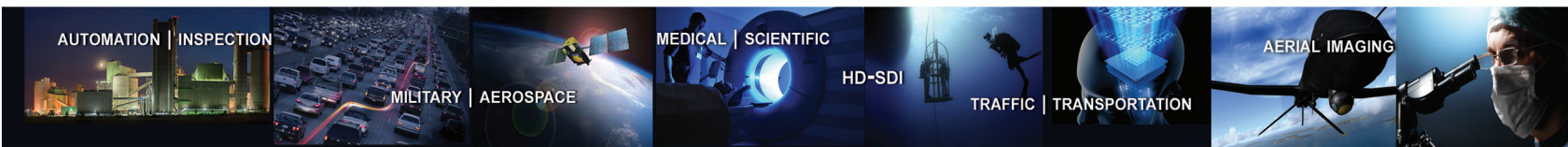
MTBF

Regulatory

- FCC part 15, Class B, CE, RoHS

Mechanical

- Express Card/34 form factor
- Weight 1.8 oz., 50g

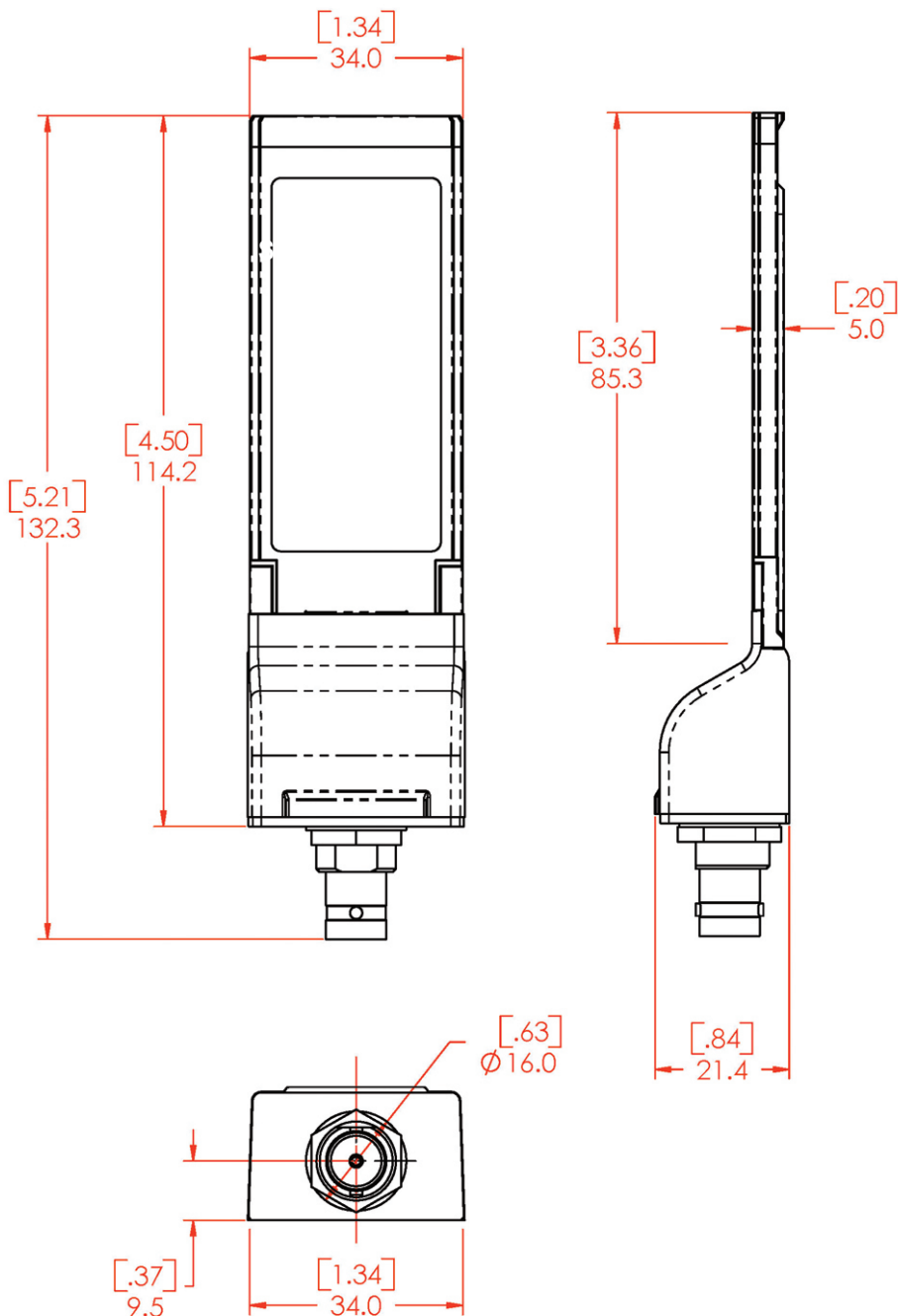
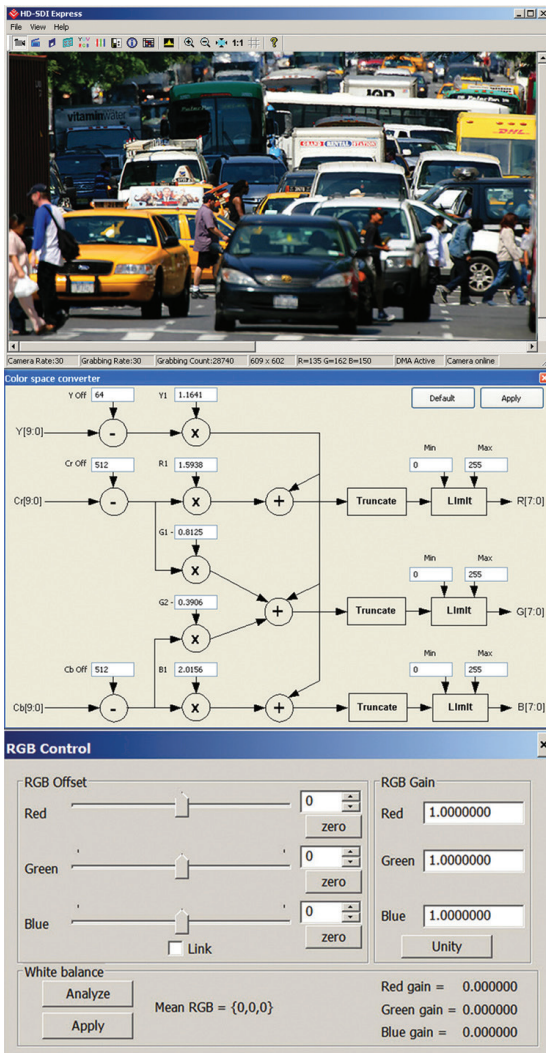




WWW.IMPERX.COM

Order: VCE-HDEX02

For specific details and ordering information, consult the HD-SDI Express user's manual or contact IMPERX at sales@imperx.com.



VCE-HDEX02, Rev 2